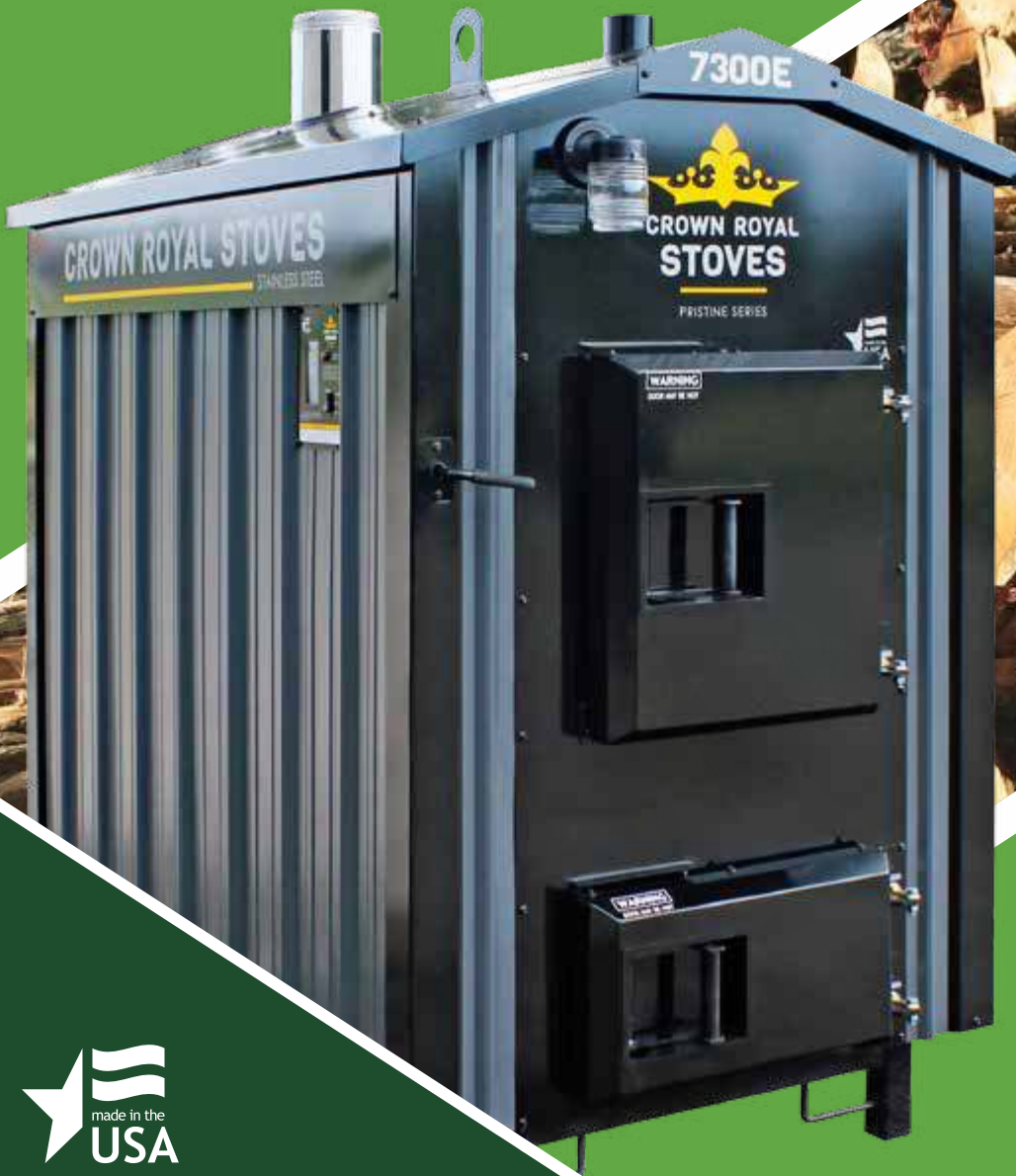




CROWN ROYAL STOVES



PUSHING THE LIMITS
OF WHAT IS POSSIBLE
WWW.CROWNROYALSTOVES.COM



PRISTINE SERIES

Burns up to 60% Less Wood than a conventional boiler.

Using negative pressure, our line of down draft gasification furnaces are constructed from 409 Titanium Enhanced Stainless Steel. The Pristine Series is one of the most economical and energy efficient models on the market, achieving a 99% combustion efficiency, making it virtually smokeless. The heat exchanger cleaner is the only self-cleaning system on the market that is easily accessible from the front.



PARTS BREAKDOWN & DESIGN

1: Firebox Door: Extra large, insulated door for easy fuel loading. Equipped with the roller latch door system.

2: Secondary Combustion Chamber Doors: Wide insulated door providing access to the secondary combustion chamber for cleaning.

3: Air Delivery Panels: Designed to distribute preheated, outside air evenly within the firebox.

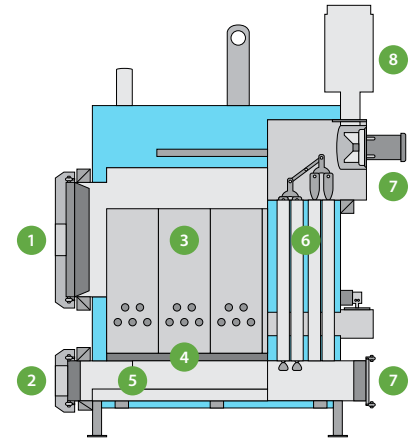
4: Gasification Manifold: A uniquely designed, high temperature poured refractory unit, that injects preheated air directly at the combustion zone.

5: Secondary Combustion Chamber: The secondary combustion chamber reaches temps as high as 2,300°F.

6: Heat Transfer Tubes & Stainless Steel Twisted Tape Turbulators: Strategically placed in the water reservoir to transfer heat to the water, assisting in achieving high efficiency and low emissions.

7: Insulated Heat Exchanger Doors: Large insulated door for easy cleaning of heat transfer tubes.

8: Stainless Steel Flue: Compared to conventional flue exhausts which have temperatures between 800°F - 1000°F, our Pristine Series have a flue exhaust as low as 280°F.



Secondary Combustion Chamber



Secondary Combustion Chamber Heat Shield



Heat Transfer Tubes & Stainless Steel Twisted Tape Turbulators



Roller Latch Door System & Heat Exchanger Cleaner Handle



Air Panels & Gasification Manifold



Back Access Panel

MULTI PASS SERIES

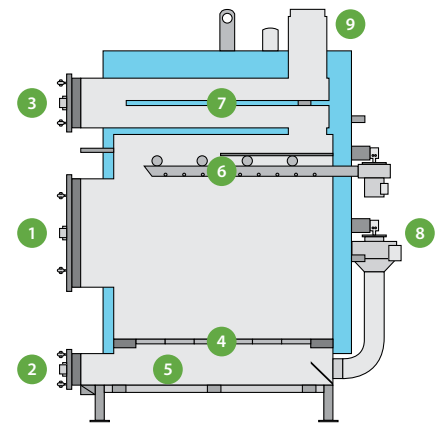
Built with a triple pass water filled heat exchanger for higher efficiency, along with shaker grates & removable ash pan.

The Multi Pass Series is manufactured with triple pass water filled heat exchanger and water filled heat exchanger tubes that produce the highest efficiencies of a conventional outdoor furnace. The bottom line, you will burn 20% - 40% less than the competition. This series is also equipped with a turbo draft fan along with shaker grates and a removable ash pan.



PARTS BREAKDOWN & DESIGN

- 1: Firebox Door:** Extra large, insulated door for easy fuel loading. Equipped with our signature double safety latch handle system.
- 2: Ash Pan Door:** Easy access for removal and cleaning of ash via the ash pan. Features a double safety latch handle.
- 3: Heat Exchanger Cleanout Door:** Easy access for cleaning fly ash. Features a double safety latch handle.
- 4: Cast Iron Shaker Grates:** Designed to ensure a complete burn of your fuel, assisting in the removal of ash.
- 5: Ash Pan:** Extra large removable ash pan for easy cleaning.
- 6: Turbo Draft System & Blower:** Introduces air above the flame, forcing secondary gases downward to be burned before escaping out the furnace chimney.
- 7: Triple Pass Water Filled Heat Exchanger:** Developed for a better heat transfer and higher efficiency than conventional units.
- 8: Primary Combustion Air Blower:** Introduction of combustion air under the shaker grates giving a hotter and cleaner burn.
- 9: Stainless Steel Flue:** Class A Insulated Chimney.



Turbo Draft System & Heat Exchange Tubes



Control Panel



Heat Exchanger



Ash Pan



Cast Iron Shaker Grates



Back Access Panel

SHAKER GRATE SERIES

Original round design firebox and water jacket, equipped with shaker grates & removable ash pan.

The shaker grate and ash pan design were purposefully developed for quick and easy cleaning. The introduction of combustion air under the grates gives a hotter and cleaner burn than other units in its' class. Additional air is injected from above the fire, inside the firebox, reducing gases and heat loss up the chimney, producing a cleaner burn that uses less fuel.



CROWN ROYAL DIFFERENCE

PROUDLY MADE IN THE USA

We welcome you to come visit our facility and see how Crown Royal Stoves are made. Crown Royal Stoves are fully manufactured at our plant in International Falls, Minnesota.

409 TITANIUM ENHANCED STAINLESS STEEL

All Crown Royal Stoves models are manufactured from 409 Titanium Enhanced Stainless Steel produced in USA mills. Competitors using imported stainless steel have lower quality control standards.

INDUSTRY LEADING WARRANTY

Our 20 Year Warranty protects your investment. Quality manufacturing processes with rigorous product testing gives us the confidence and quality necessary to provide you with an industry leading warranty.

SUPPORT AFTER SALE

As a family owned business, we know how important it is to offer customer service and technical support after the sale. Many manufacturers will not offer any type of support for retail consumers, THE DIFFERENCE, we will.

RESEARCH, DEVELOPMENT & TESTING

What better location to develop and test an outdoor furnace than "The Icebox of the Nation", International Falls, Minnesota, with the coldest temperatures in the continental United States.



Turbo Draft System & Heat Exchange Tubes



Control Panel



Safety Door Latch



Ash Pan



Cast Iron Shaker Grates



Back Access Panel

INDOOR SERIES

Much like the Shaker Grate Series, the Indoor Series is skinless and features shaker grates & removable ash pan and can be installed inside a building not attached to a primary residence.

The Indoor Series is a great way to heat the area in which the furnace is installed and has the capability to heat multiple buildings. For the best corrosion resistance and heat transfer possible, our Crown Royal firebox and outer drum is a round design constructed out of 409 Titanium Enhanced Stainless Steel.



FEATURES & BENEFITS

The Features & Benefits & Applications below apply to all Crown Royal Stove models unless an * is present.

- 409 Titanium Enhanced Stainless Steel
- Triple Pass Water Filled Heat Exchanger *
- Secondary Combustion *
- Stainless Steel Heat Exchanger Tubes
- Stainless Steel Turbulators *
- Easy Heat Exchanger Cleaning *
- Turbo Draft *
- Fan Forced Draft
- Smoke By-Pass
- Class A Insulated Chimney
- 20 Year Limited Warranty
- Roller Latch Door System *
- Non-Stick Door Gasket
- Insulated Walls R30, Roof R30
- Shaker Grate System with Removable Ash Pan *
- Firebrick Refractory *
- Ash Clean Out Doors
- Easy to Read Backlit Display
- Water Level Indicator
- No Mess in the House
- Works with Any Existing Heating System
- No Carbon Monoxide Caused by Gas Fumes
- Large Firebox & Loading Door
- Cost Effective Heat Source
- Multiple 1-1/4" Supply & Return Connections *
- Easily Removable Rear Access Door to Plumbing Connections
- Light for Night Loading
- Manufactured with Domestic Stainless Steel

APPLICATIONS

- Residential Homes
- Pools / Hot Tubs
- Domestic Hot Water
- Radiant In-Floor Heating
- Commercial Buildings
- Greenhouses
- Garages & Workshops
- Barns & Agricultural Buildings
- Kiln Dry Wood

MODELS SPECIFICATIONS COMPARISON

	PRISTINE			MULTI	
	7200E	7300E	7400E	7200MP	7300MP
Estimated Weight	1,752 lbs	2,500 lbs	2,800 lbs	1,400 lbs	1,800 lbs
Width	47"	54"	56"	47 1/2"	52"
Length	66"	80"	88"	62"	68"
Height	73"	90"	102"	81"	87"
Firebox Length	28"	32"	34"	30"	38"
Chimney Size	6"	6"	8"	6"	6"
Door Size	18" x 18"	20" x 20"	22" x 26"	20" x 20"	20" x 20"
Supply Size	1 - 1-1/4"	2 - 1-1/4"	2 - 1-1/4"	1 - 1-1/4"	2 - 1-1/4"
Return Size	1 - 1-1/4"	2 - 1-1/4"	2 - 1-1/4"	1 - 1-1/4"	2 - 1-1/4"
Water Capacity	190 gallons	240 gallons	290 gallons	140 gallons	180 gallons
Turbo Fan:	-	-	-	60 cfm	60 cfm
Combustion Fan:	3,000 rpm	3,450 rpm	3,450 rpm	150 cfm	150 cfm
Approximate Sq. Ft.	2,000 - 3,000	4,000 - 5,000	8,000 - 10,000	2,000 - 3,000	4,000 - 6,000
Approximate BTU's	125,000	225,000	390,000	165,000	275,000
Insulation Roof / Walls	R30	R30	R30	R30	R30
409 Stainless Steel	YES	YES	YES	YES	YES
Domestic Coil 300,000 BTU	-	-	-	Optional	Optional
EPA Certified	YES	YES	YES	-	-



INDUSTRY LEADING WARRANTY

Not all warranties are created equal. Some outdoor furnace manufacturers who advertise that they offer a Lifetime Warranty, actually offer little to no warranty, but don't disclose the details. Protect yourself and your investment, by always asking to see the full warranty.

Our 20 Year Warranty provides you the highest quality, longest lasting furnace and warranty on the market.

SUPPORT AFTER SALE

As a family owned business, we know how important it is to offer customer service and technical support after the sale. Many manufacturers will not offer any type of support for retail consumers, **THE DIFFERENCE**, we will.

PASS		SHAKER GRATE		INDOOR		
7400MP	7500MP	7300	7400	7200ID	7300ID	7400ID
2,500 lbs	4,000 lbs	1,500 lbs	2,140 lbs	1,050 lbs	1,150 lbs	1,750 lbs
60"	89"	56"	68"	48"	48"	60"
72"	99"	73"	91"	54"	66"	78"
97"	110"	90"	96"	84"	84"	95"
48"	60"	44"	56"	36"	44"	56"
8"	10"	6"	8"	6"	6"	8"
24" x 24"	42" x 32"	20" x 20"	24" x 24"	20" x 20"	20" x 20"	24" x 24"
2 - 1-1/4"	4 - 1-1/4"	2 - 1-1/4"	2 - 1-1/4"	2 - 1-1/4"	2 - 1-1/4"	2 - 1-1/4"
2 - 1-1/4"	4 - 1-1/4"	2 - 1-1/4"	2 - 1-1/4"	2 - 1-1/4"	2 - 1-1/4"	2 - 1-1/4"
320 gallons	600 gallons	200 gallons	380 gallons	150 gallons	200 gallons	380 gallons
60 cfm	60 cfm	60 cfm	60 cfm	60 cfm	60 cfm	60 cfm
150 cfm	150 cfm	150 cfm	150 cfm	150 cfm	150 cfm	150 cfm
8,000 - 10,000	18,000 - 20,000	4,000 - 5,000	8,000 - 10,000	2,000 - 3,000	4,000 - 5,000	8,000 - 10,000
400,000	750,000	240,000	365,000	165,000	240,000	365,000
R30	R30	R30	R30	-	-	-
YES	YES	YES	YES	YES	YES	YES
Optional	Optional	Optional	Optional	Optional	Optional	Optional
-	-	-	-	-	-	-

409 TITANIUM ENHANCED STAINLESS

All Crown Royal Stoves are manufactured with **DOMESTIC** (Manufactured in the USA) **409 Titanium Enhanced Stainless Steel**. 409 Stainless Steel is commonly used for its' corrosion resistance, high heat tolerances, the best thermal expansion, and excellent heat transfer capabilities.

If you compare heat strengths, heat tolerances, thermal expansion, corrosion resistance, and heat transfer capabilities with all other steels, 409 Titanium Enhanced Stainless Steel is the best choice for outdoor furnace applications.

NOT ALL 409 STAINLESS STEEL IS EQUAL

Some competitors are using imported 409 stainless steel. Imported stainless steel has lower quality control standards that result in varying wall thickness, heavy inclusions from rolling, lamination and inconsistent annealing. These variables can all lead to excessive corrosion, material failures and leaks in the firebox and water jacket. Ask the competitors if they can show you mill test reports to prove they are using domestic steel.



PROUDLY MADE IN THE USA

We welcome you to come see our facility and how Crown Royal Stoves are made. Crown Royal Stoves and our line of unit heaters and air handlers are fully manufactured at our plant in

International Falls, Minnesota. All of our Stainless Steel comes from mills in the United States. Ask the competitors if they can show you mill test reports to prove they are using domestic steel.



THE COMPETITION
CAN'T COME CLOSE



GREENTECH MANUFACTURING INC.

International Falls, MN • 56649



W: www.crownroyalstoves.com

P: 1-866-361-7355 F: 1-218-283-5786

AUTHORIZED DEALER